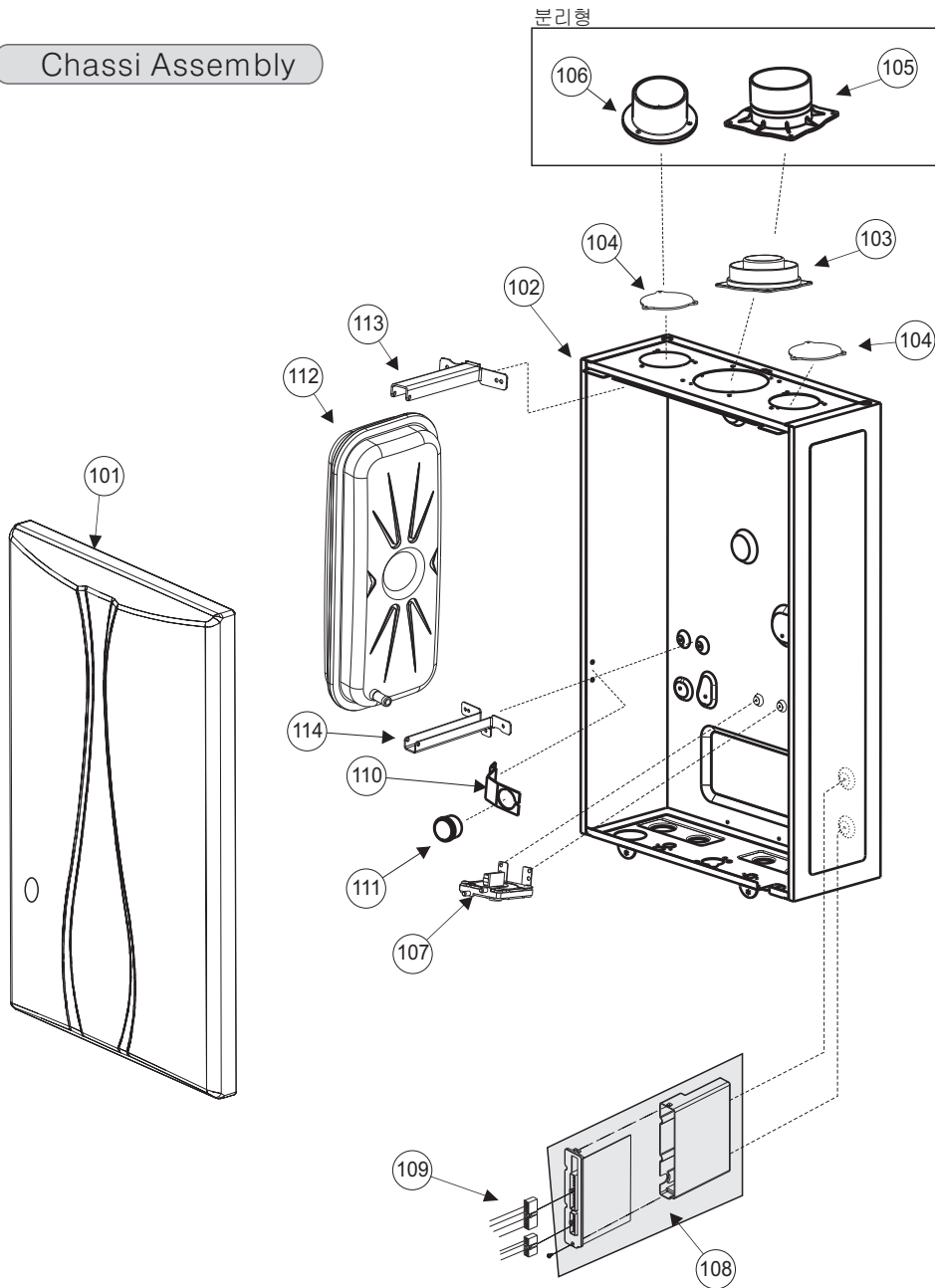


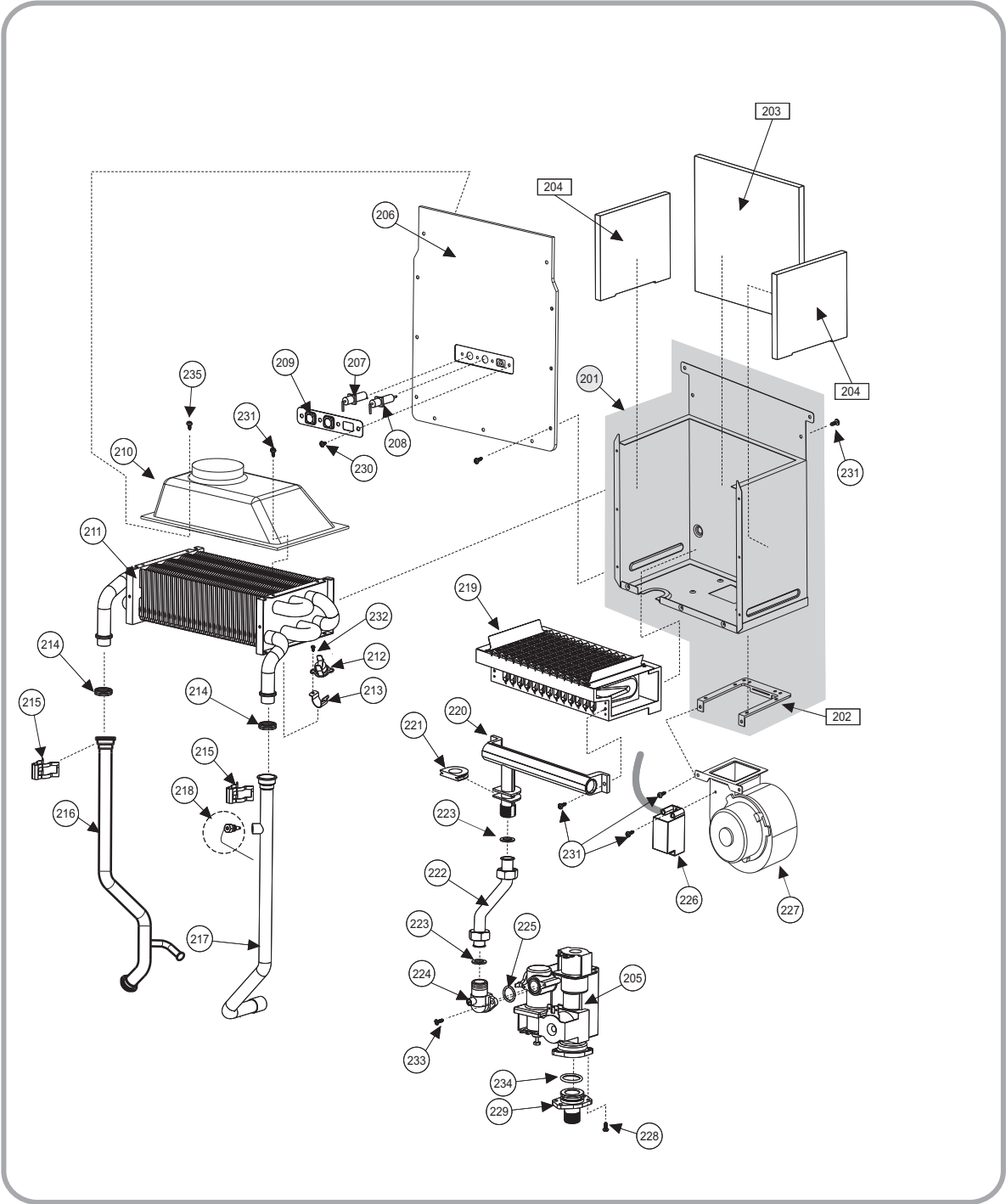
1 Isometric view

A MAX 30,35,41 FFCD Model

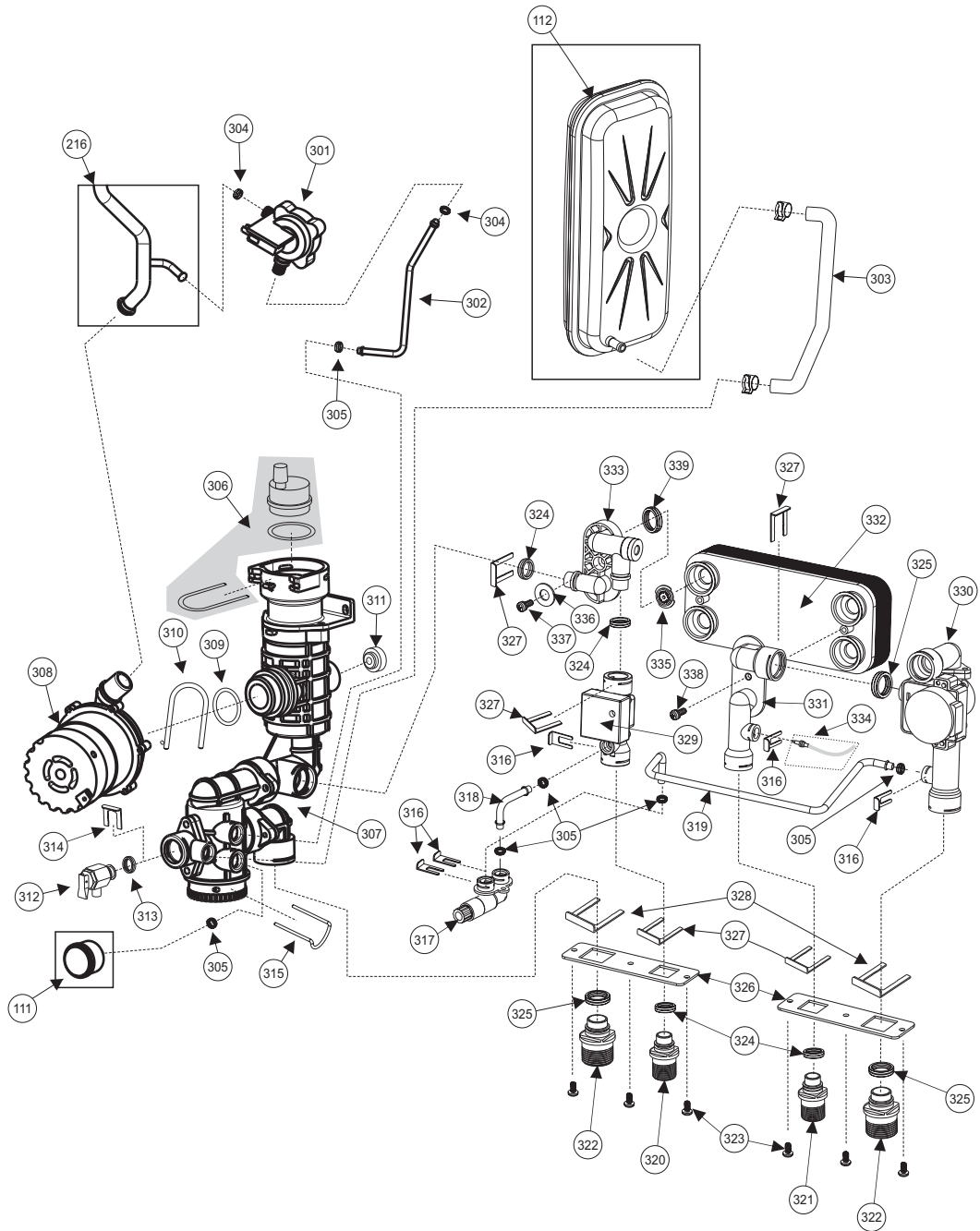
Chassi Assembly



Burner Assembly



Waterline Assembly



Part List

NO.	Part NO.	Part Name
101	2010948	Front cover(A MAX 30~41)
	2010950	Front cover(D MAX 30~41)
102	52070858	Chassis assembly(A MAX 30~41)
	52070656	Chassis assembly(D MAX 30~41)
103	53050083	Coaxial flue adapter(European style)
104	3040180	Air intake cap
105	3050057	Coaxial flue adapter(Korean style)
106	3040184	Intake adapter
107	2100261	Air pressure switch(ESR 16~30,A MAX 24~30)
	2100266	Air pressure switch(ESR,A MAX 35~41)
108	2082746	PCB(A,D MAX 24~41,SOFTLIFE,Z-STAR)
109	53131138	13+21(14+24)Pin wire(A MAX 24~41)
	53131140	13+21(14+24)Pin wire(D MAX 24~41)
110	53012414	Bracket for pressure gauge(A MAX,Circle)
111	2081212M	Pressure gauge(A,A MAX,ESR,Circle)
112	2070877	Expansion vessel(ESR 16~41,A24~41,A MAX 30~41)
113	3010807	Bracket for expansion vessel(upper)
114	3010680	Bracket for expansion vessel(lower)

NO.	Part NO.	Part Name
201	2010299	Combustion chamber body cover(ESR,A MAX 30~41)
202	3012296	Bracket for ventillation
203	3090160	Ceramicboard(back side)(ESR,A MAX 30~41)
204	3090094	Ceramicboard(side)(ESR,A MAX 30~41)
205	2030280	Gas valve
206	2010640	Combustion chamber front cover(A MAX 30~41)
207	2020337R	Spark plug(ESR,A,A MAX 30~41,D24~41)
208	2020308	Flame sensing rod
209	3010810	Bracket for spark plug
210	2130568	Exhaust hood(A MAX 30~41)
211	2070635	CHW Heat exchanger(A MAX 30~41)
212	2080390	Overheat protection
213	3010933	Braket for Overheat protection

NO.	Part NO.	Part Name
214	3080142	O-Ring P16
	53080471	O-Ring P16(100ea)
215	3010923	Fixing clip for supply and return pipe
	53012252	Fixing clip for supply and return pipe(100ea)
216	2090913	Return hose(pipe)(A MAX 30~41)
	52091096	Return hose(pipe)(D MAX 30~41)
217	2091582	Supply hose(pipe)(A MAX 30~41)
218	3130448A	Temperature sensor CHW(A MAX)
219	2020339	Burner(ESR,A,D24~41,A MAX 30~41,15ea)
220	2020344	Mainfold LNG(A MAX 30~35)
	2020340	Mainfold LPG(ESR,A,D,A MAX 30~35)
	2020341	Mainfold LNG(ESR,A,D,A MAX 41)
	2020342	Mainfold LPG(ESR,A,D,A MAX 41)
221	3090100	Mainfold packing
222	2090840	Gas pipe(A MAX 30~41)
223	3080043	Packing 1/2
	53080474	Packing 1/2(100ea)
224	3050077	Gas valve adapter
225	3080164	O-Ring for Gas valve
	53080489	O-Ring for Gas valve(100ea)
226	2080364	Ignition transformer
227	2100291	Combustion fan(A MAX,ESR 35~41)
228	3100165	Screw for Gas valve (M4x14)
229	3050089	Nipple for Gas valve
230	53100234	Tapping Screw(4X8)
231	3100051	Tapping Screw(4X10)
232	3100053	Tapping Screw(3.5X6)
233	3100125	Screw for Gas valve (M4X14)
234	3080115	O-Ring for Gas valve nipple
	53080488	O-Ring for Gas valve nipple(100ea)
235	3100136	Hexagon head tapping screw(M5X10)

Part List

NO.	Part NO.	Part Name
301	2060146A	Water pressure switch(Black,A MAX,ESR,A MAX 50)
	52060325	Water pressure switch(Sensor,D,D MAX)
302	2090914	Pipe for Water pressure switch
303	3080527	Hose(Pipe) for expansion vessel(A24~41,ESR 30~41,A MAX 30~41)
304	3090120	Packing for pump detection switch
	53080477	Packing for pump detection switch(100ea)
305	3080147	O-Ring P6
	53080484	O-Ring P6(100ea)
306	52060749	Air vent assembly(A MAX 16~41)
307	52060750	Return pump braket(A MAX 30~41)
	52060751	Return pump braket(D MAX 30~41)
308	52050115	Pump(ESR,A MAX 30~41)
	52050148	Pump(D, D MAX 30~41)
309	3080016	O-Ring for Pump
310	3120030	Fixing clip for pump
311	3080146	O-Ring for pump
	53080473	O-Ring for pump(100ea)
312	2060337	Pressure relief valve(A24, A MAX 16~41,ESR 30~41)
313	3080153	O-Ring P12
	3080543	O-Ring P12(100ea)
314	3010621	Fixing clip for Pressure relief valve
	53012251	Fixing clip for Pressure relief valve(100ea)
315	3120100	Fixing clip for Return Filter
	3120193	Fixing clip for Return Filter(100ea)
316	3010925	Fixing clip P6
	53012247	Fixing clip P6(100ea)
317	52060376	Water supply valve
318	2090877	Water supplement inlet pipe(A MAX 30~41)
319	52091122	Water supplement outlet pipe(A MAX 30~41)
320	3030193	Nipple for Cold Water(CW)

NO.	Part NO.	Part Name
321	3030181	Nipple for Hot Water(HW)
322	3030180	Nipple for return and supply water
323	3100146	Hexagon head screw(M5X10)
324	3080141	O-Ring P14
	53080485	O-Ring P14(100ea)
325	3080140	O-Ring P18
	53080487	O-Ring P18(100ea)
326	3010944	Braket for nipple
327	3010660	Fixing clip P14
	53012248	Fixing clip P14(100ea)
328	3010622	Fixing clip P18
	53012249	Fixing clip P18(100ea)
329	2060229	Flow switch(ESR,A MAX, A MAX 50)
330	2040105	3-way valve(ESR,A MAX)
331	2060245	Hidroblok supply and hot water
332	2060185A	DHW heat exchanger(ESR 30,13fin)
	2060186A	DHW heat exchanger(ESR 35~41,15fin)
333	2060239	Hidroblok return and cold water
334	2080459A	Temperature sensor DHW(A MAX 16~41)
335	2060220	Regulator for cool water
336	3011288	Fixing braket for return and cold water
337	3100140	Screw for return and cold water(M5*0,8p,L:28mm)
338	3100109	SEMS Screw(M5X25)
339	3080144	O-Ring P18.6
	53080472	O-Ring P18.6(100ea)
RC	52082172	R/C(DR-240A,A MAX)
	2082743	R/C(DR-240A,A MAX,KZ)
	2082735	R/C(DR-240A,FAFT)
	52082173	R/C(DR-100A,D MAX)
	2082736	R/C(DR-100A,DS,KZ)